

General Characteristics

Operating Conditions:

Temperature: 0° to +45° C
Humidity: 95% RH at 40° C

Non-Operating Conditions:

Temperature: -40° to +70° C

Safety: Based on IEC-348, UL-1244

Power: 100, 120, 220 V ±10%, 240 V -10% +5%, 48 Hz to 60 Hz, 500 VA (max)

Size: 425 mm W × 375 mm H × 620 mm D (16.75 in × 14.8 in × 24.4 in)

Weight: Approximately 41 kg (90.4 lb)

HP 41951A Impedance Test Kit

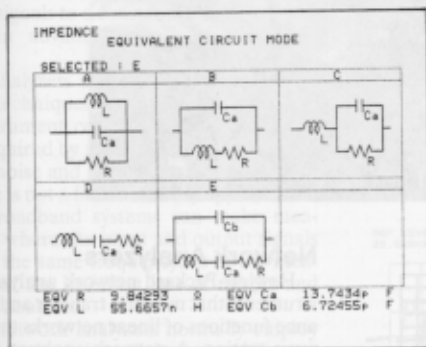
The HP 41951A can be used for impedance measurements from 100 kHz to 500 MHz when used with the HP 4195A.

Measured Parameters: |Z|, |Y|, θ, L, C, R, X, G, B, D, and Q

Error Compensation: 1 port cal, open/short offset, and port extension

Equivalent Circuit Analysis: Circuit constants approximation and simulation of frequency characteristics

Available Accessories: Refer to page 340



HP 41951A

HP 41952A/B Transmission/Reflection Test Sets

Two test sets of the HP 41952A or 41952B (Option 009) allow the HP 4195A to perform full S-parameters measurement without having to remove and reverse the device. The HP 41952A is used for 50 Ω application, and the HP 41952B is used for 75 Ω application.

Specifications

	HP 41952A	HP 41952B
Impedance:	50 Ω	75 Ω
Frequency range:	100 kHz to 500 MHz	100 kHz to 500 MHz
Directivity:	40 dB @ 300 kHz to 200 MHz	35 dB @ 800 kHz to 200 MHz
Frequency response: *1		
Transmission magnitude, phase (@ ≥ 300 kHz):	±1 dB, ±5 deg	±1 dB, ±5 deg
Reflection magnitude, phase (@ ≥ 1 MHz):	±1 dB, ±5 deg	±1 dB, ±5 deg
Effective source match: test port	>20 dB @ ≥ 300 kHz	>20 dB @ ≥ 300 kHz
Connector: test port	50 Ω type N-(f)	75 Ω type N-(f)
Accessories furnished	50 Ω N cable Operating Note Carrying Case	50 Ω N cable HP 11852B M. L. Pad Operating Note Carrying Case

Note: HP 41952B Opt. 009 deletes 50 Ω N cable and HP 11852B.
*1: Typical



HP 41952A



HP 41800A

HP 41800A Active Probe

The HP 41800A Active Probe is a high-input impedance probe that covers the frequency from 5 Hz to 500 MHz, and makes it easy to perform signal analysis of circuits in audio, video, HF, and VHF band.

Specifications

Bandwidth: 5 Hz to 500 MHz
Input R, C (nominal): 100 k Ω, 3 pF (probe alone)
Average Noise Level (typical): 10 nV/√Hz 300 kHz to 500 MHz
2nd Harmonic Distortion: < -50 dBc -20 dBc input
Output Connector: 50 Ω type N male
Accessories Furnished: 10:1 divider, hook tip, ground leads, spare tips, BNC male adapter, and so on

Accessories Available

HP 85044A/B Transmission/Reflection Test Set
HP 85024A High Frequency Probe

Key Literature

HP 4195A Network/Spectrum Analyzer Technical Data, p/n 5952-7970.

Ordering Information

	Price
HP 4195A Network/Spectrum Analyzer	\$31,900
Opt W30 Extended Repair Service	+ \$550
Opt 001 High Stability Frequency Reference	+ \$865
HP 41951A Impedance Test Kit	\$2,680
HP 41952A 50 Ω Transmission/Reflection Test Set	\$2,680
HP 41952B 75 Ω Transmission/Reflection Test Set	\$3,215
Opt 009 Delete 50 Ω N Cable and 11852B	- \$500
HP 41800A Active Probe	\$2,160